



X STEEL
CONSTRUCTIONS
Power Industrial Energy



X STEEL
CONSTRUCTION
The key for Steel buildings in the Middle East

X STEEL CONSTRUCTION

THE KEY FOR STEEL BUILDINGS IN THE MIDDLE EAST

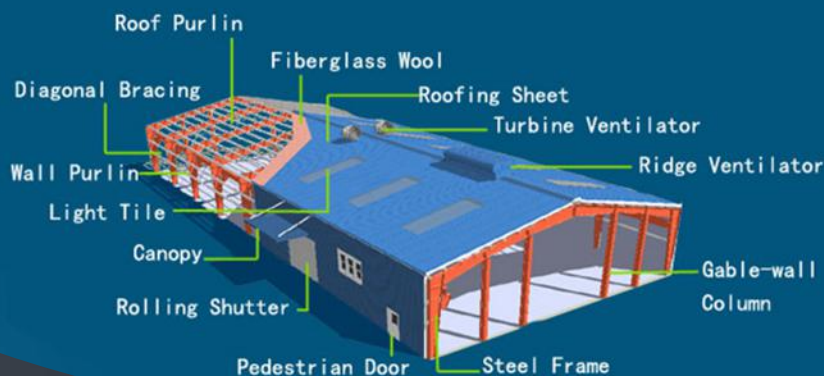
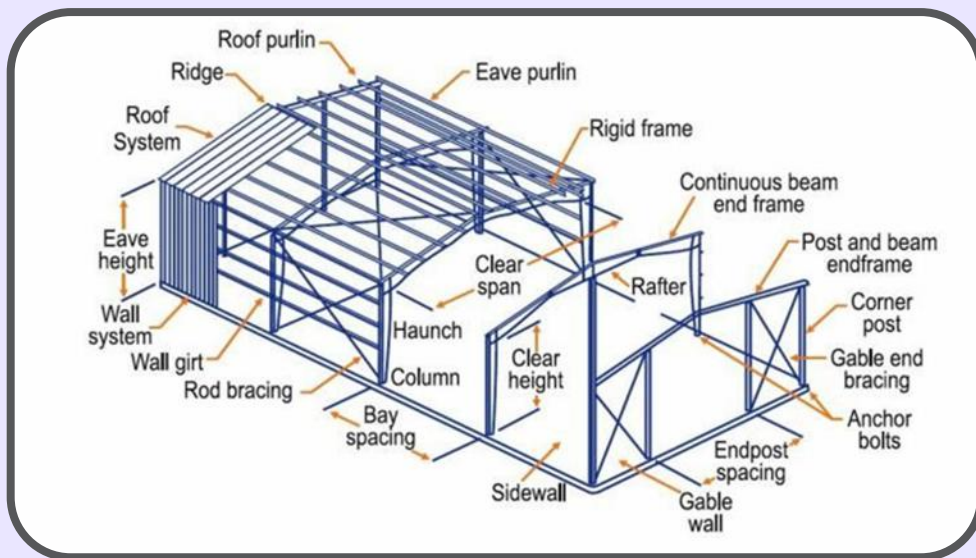
X Steel is leading construction Company in the field of Steel constructions, X steel is Working to Develop Egypt, North and Middle Africa.

We are offering Complete Design and Build for the new investments and organization in Africa and Middle East.

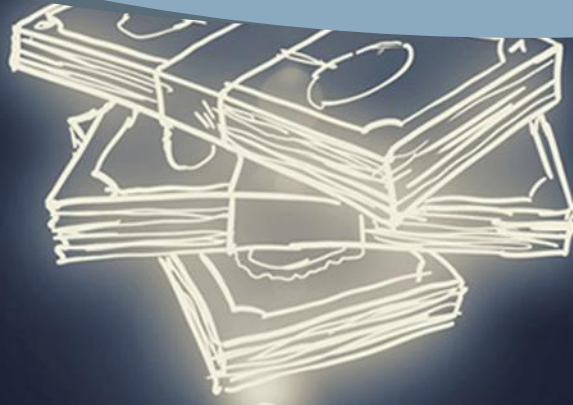


New bridges between us in all over Africa

X steel is providing unique design of Warehouses and industrial firms, X steel insure the Quality and after sales Services for our clients.



CHALLENGEABLE PRICES AND BEST QUALITY
EVER IN STEEL BUILDINGS



PEB Buildings

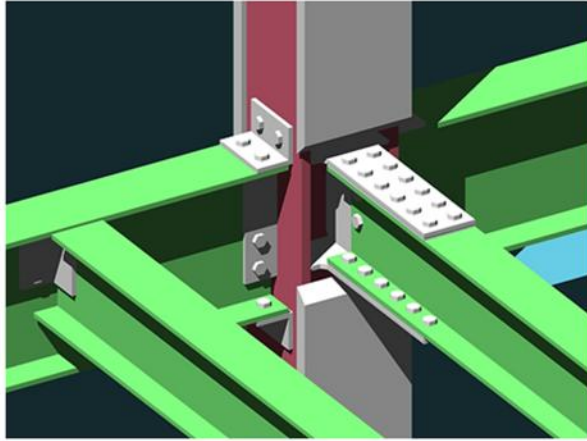


Immediate and best delivery times of PEB
in Africa and Middle East

DESIGNS

X steel is studding with their clients the value engineering of their projects to share and advice for the best Design

We are offering Connection designs, welding designs of steel, column, sliding Doors and crane girders all lumps Sum in our designs.



TYPICAL STEEL PLANT MODEL



Multi-span low construction

Applicable for: office, grocery and any kinds of store.



Single-span construction

Applicable: warehouse, sales center, factory or other constructions needed large area of high eave.



Standard-span construction

Applicable for: industrial large span workshop(with crane), gymnasium,warehouse etc.



Multi-span construction

Applicable for: factory or factory's continuation



Single-span construction

Applicable for: warehouse, sales center, factory or other constructions needed large area of high eave.



Additional construction

Applicable for: additional construction, tool room, outside of the construction, expublic place of the storage.

CLADDING SERVICES

X steel is Design and installs PEB Cladding Work with the required quality and test and leak insurance.



X steel is have Unique team in piping design and installation of their accessories as per standard and international codes.

X steel also providing fabrication and erection for Pipe racks and complete piping system

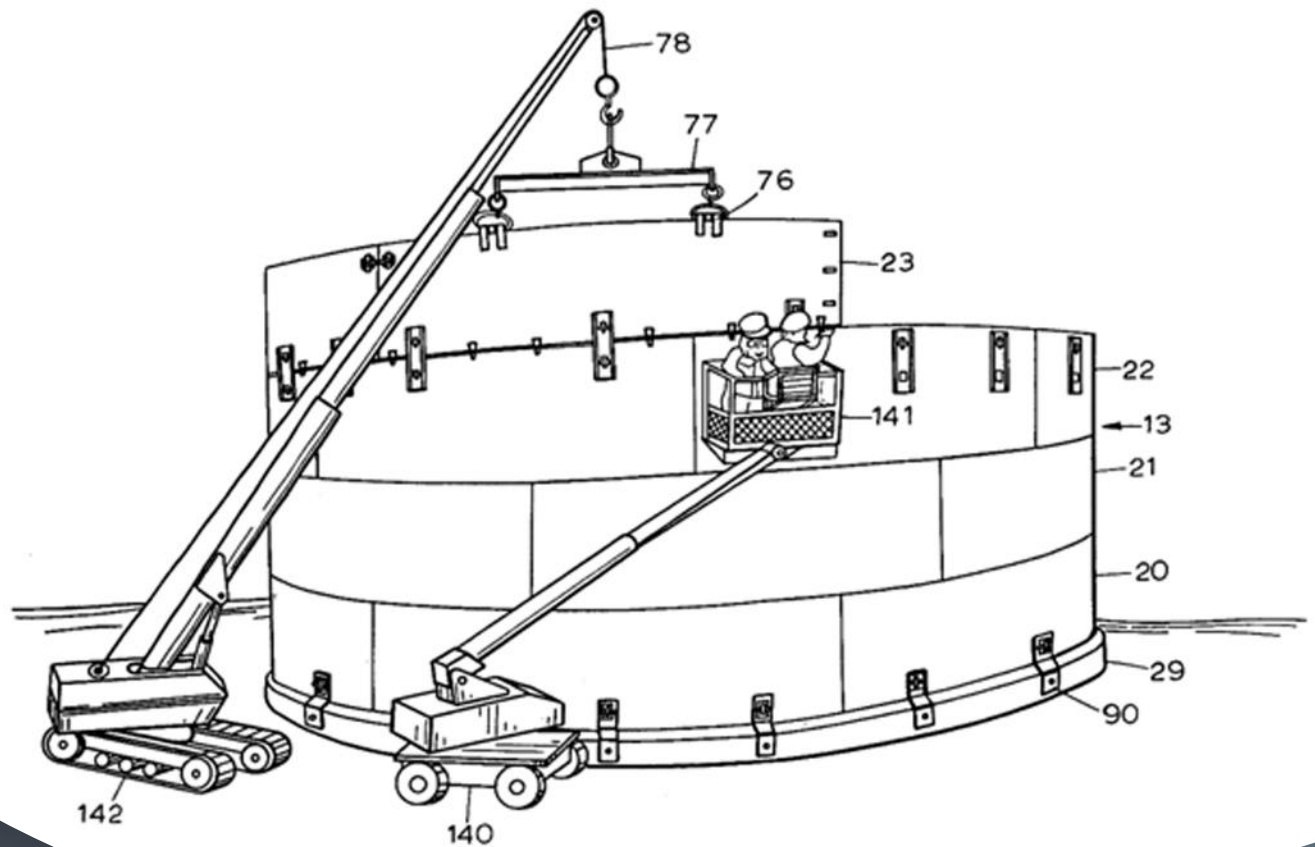


PDMS Software



ERECTION & INSTALLATION SERVICES

X steel is familiar with the installation of tanks and exhaust stacks , piping , pipelines and Mechanical elements



WASTE & DESALINATION WATER

Human is our Major aims to Develop his life and water is essentially for all mankind , So X steel taking the Responsibility to be a part of international family who can motivate and change the Quality of Drinking water by two steps is to build the waste water Recycling and again Desalination for Human bodies.



PRODUCTS



X STEEL HAS A SPECIAL DEPARTMENT FOR ARCHITECTURE STEEL PROJECT DESIGN TILL THE COMPLETION OF THE CONSTRUCTION FOR TENSILE STRUCTURE WORK



WATER BRIDGE

SAFETY

Hence the Human is our Major aims X steel is care too much for the safety of their labors and staff
So we are providing all PEP and the safety tools with Qualified Safety Engineers and professionals



QUALITY

WE ARE FOLLOWING THE STANDARDS CODES AND THE UPDATES
METHOD OF ERECTION AND THE NEW IDEAS FOR THE FABRICATION
ALONG WITH THE REST OF THE WORLD

X STEEL IS GUARANTEERING ITS WORK IN STEEL FABRICATION AND
CONSTRUCTION AND GIVING FROM 1 TO 20 YEARS WARRANTY FOR
THEIR PRODUCTS.





6th October City, 4th District, Al Khazan Street, Building 309, Egypt.
e. info@xsteelconstruction.com - **w.** www.xsteelconstruction.com
t. +2 02 36914328 - **m.** +2 010 17 342 777